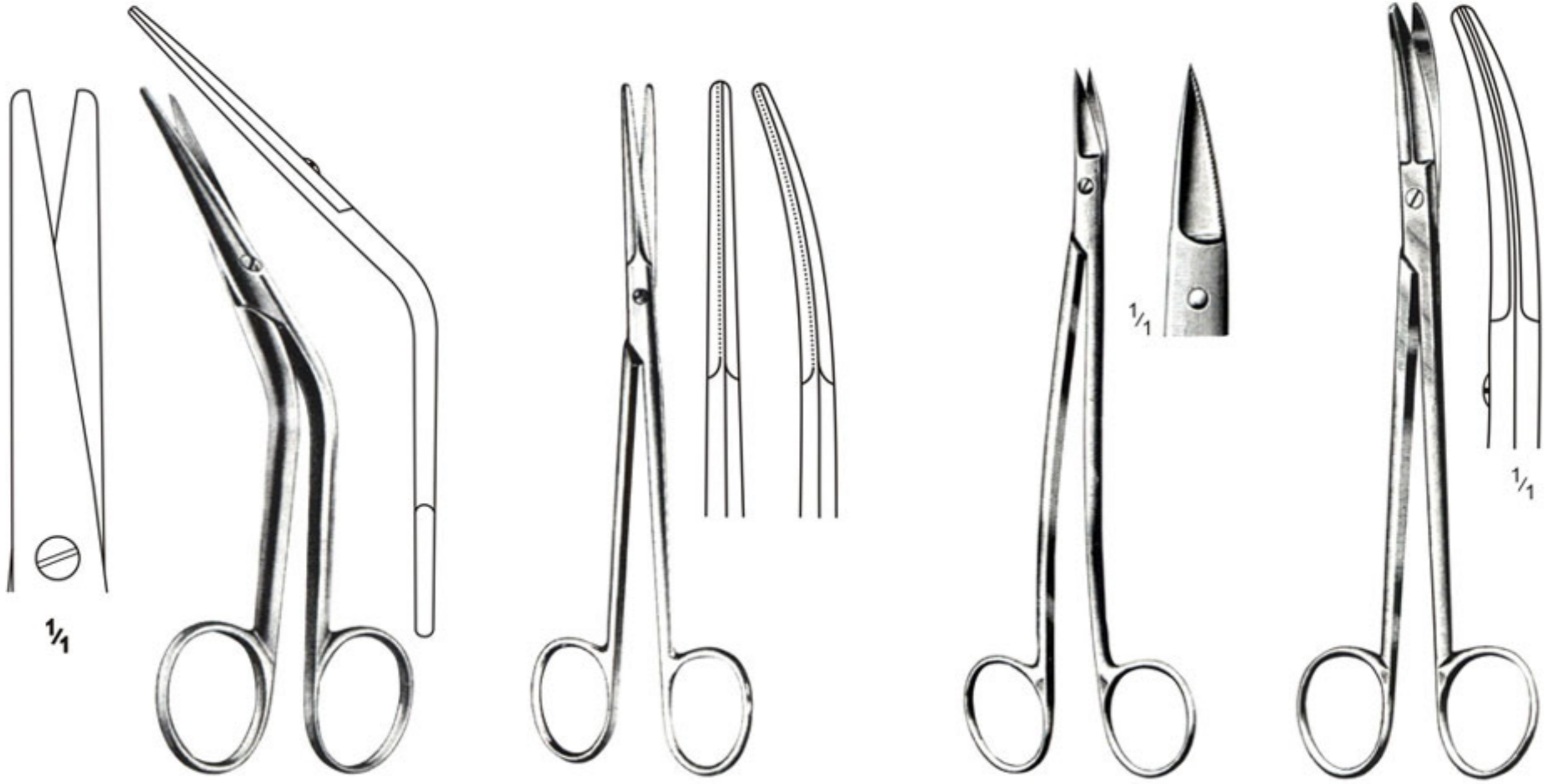


**Tonsillen-, Gefäß-Scheren  
Tonsil, Vascular Scissors  
Ciseaux amygdal., vasculaires  
Tijeras, amígdal., vasculares  
Forbici, tonsill., vascolari**

Nase . Nasal . Nasale

18

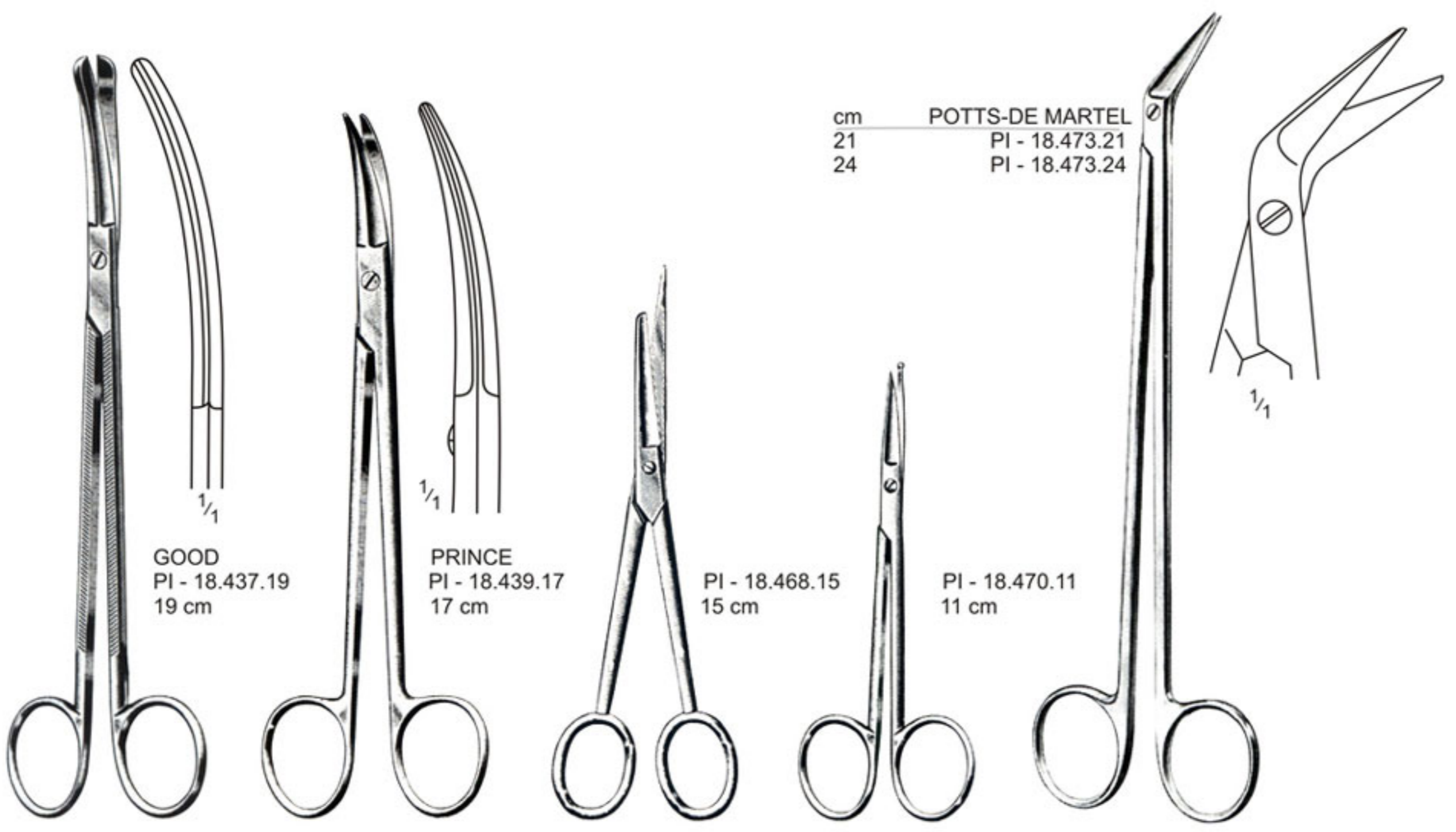


**COTTLE**  
PI - 18.405.16  
16 cm

**BEUSE**  
PI - 18.420.14 14 cm PI - 18.421.14  
PI - 18.420.18 18 cm PI - 18.421.18

**DEAN**  
PI - 18.425.17 17 cm 08.427.17

**BOETTCHER**  
PI - 18.435.18  
18 cm



**GOOD**  
PI - 18.437.19  
19 cm

**PRINCE**  
PI - 18.439.17  
17 cm

PI - 18.468.15  
15 cm

PI - 18.470.11  
11 cm

cm **POTTS-DE MARTEL**  
21 PI - 18.473.21  
24 PI - 18.473.24

Tonsillen  
Tonsils  
Amygdales  
Amígdalas  
Tonsille



cm	LOVE
18	PI - 60.103.18
20	PI - 60.103.20
22	PI - 60.103.22



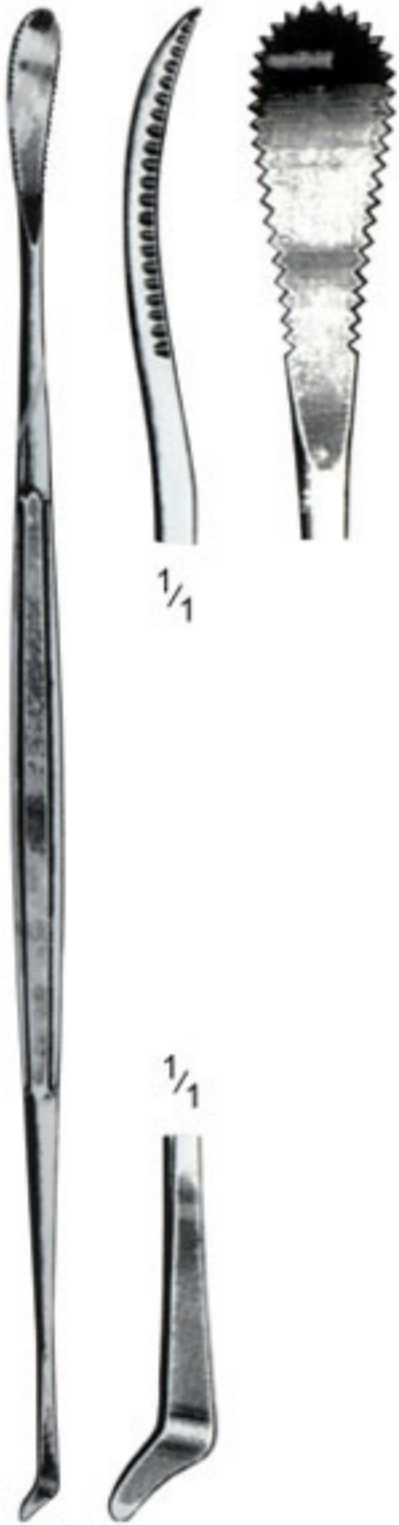
**HOFER**  
PI - 60.109.24  
24 cm



**NAGER**  
PI - 60.111.23  
23 cm



**HURD**  
PI - 60.131.22  
glatt .smooth . lisse  
liso . liscio  
22 cm  
PI - 60.133.22  
gezahnt .serrated  
dentelé .dentado  
dentellato  
22 cm



**HENKE**  
PI - 60.135.23  
23 cm



**CARPENTER**  
PI - 60.139.25  
25 cm



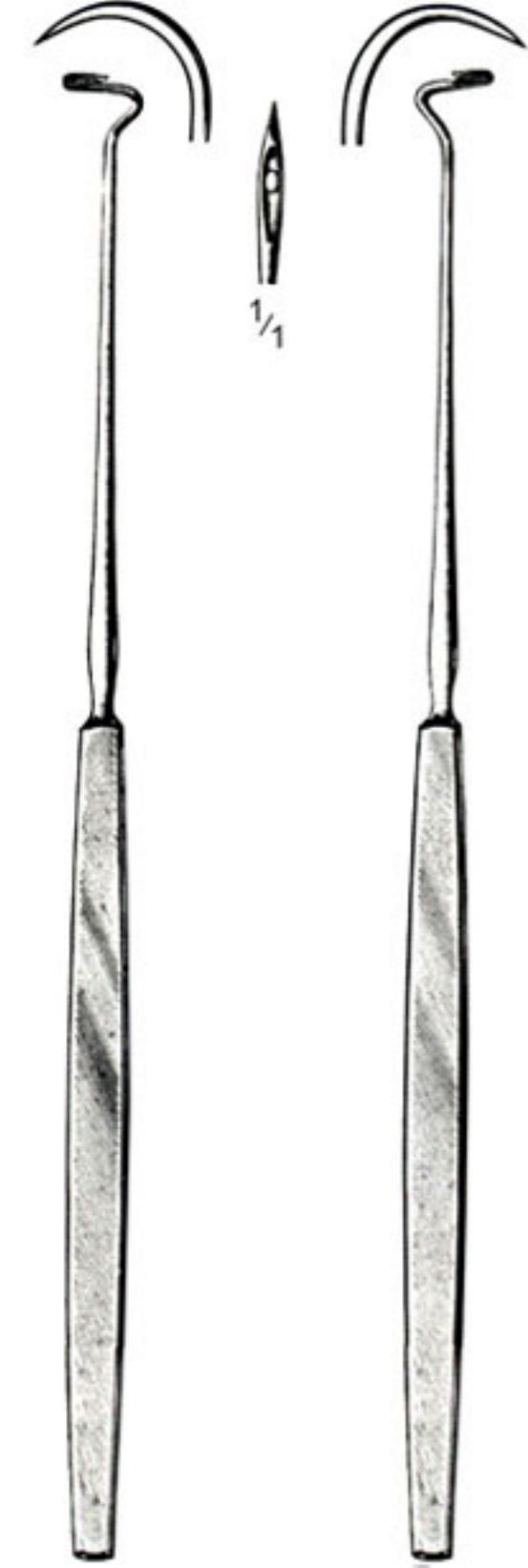
**CARPENTER**  
PI - 60.143.24  
24 cm



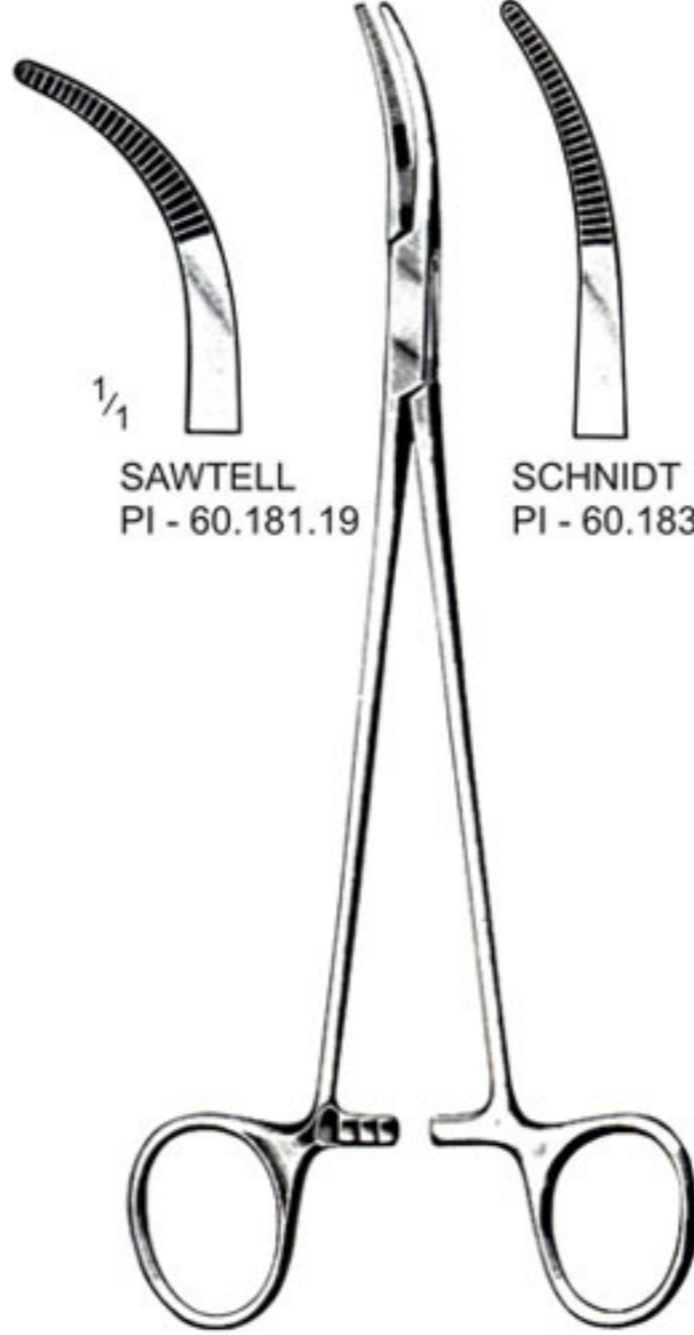
**LUNIATSCHEK**  
PI - 60.151.19  
19 cm

**Tonsillen  
Tonsils  
Amygdales  
Amígdalas  
Tonsille**

60

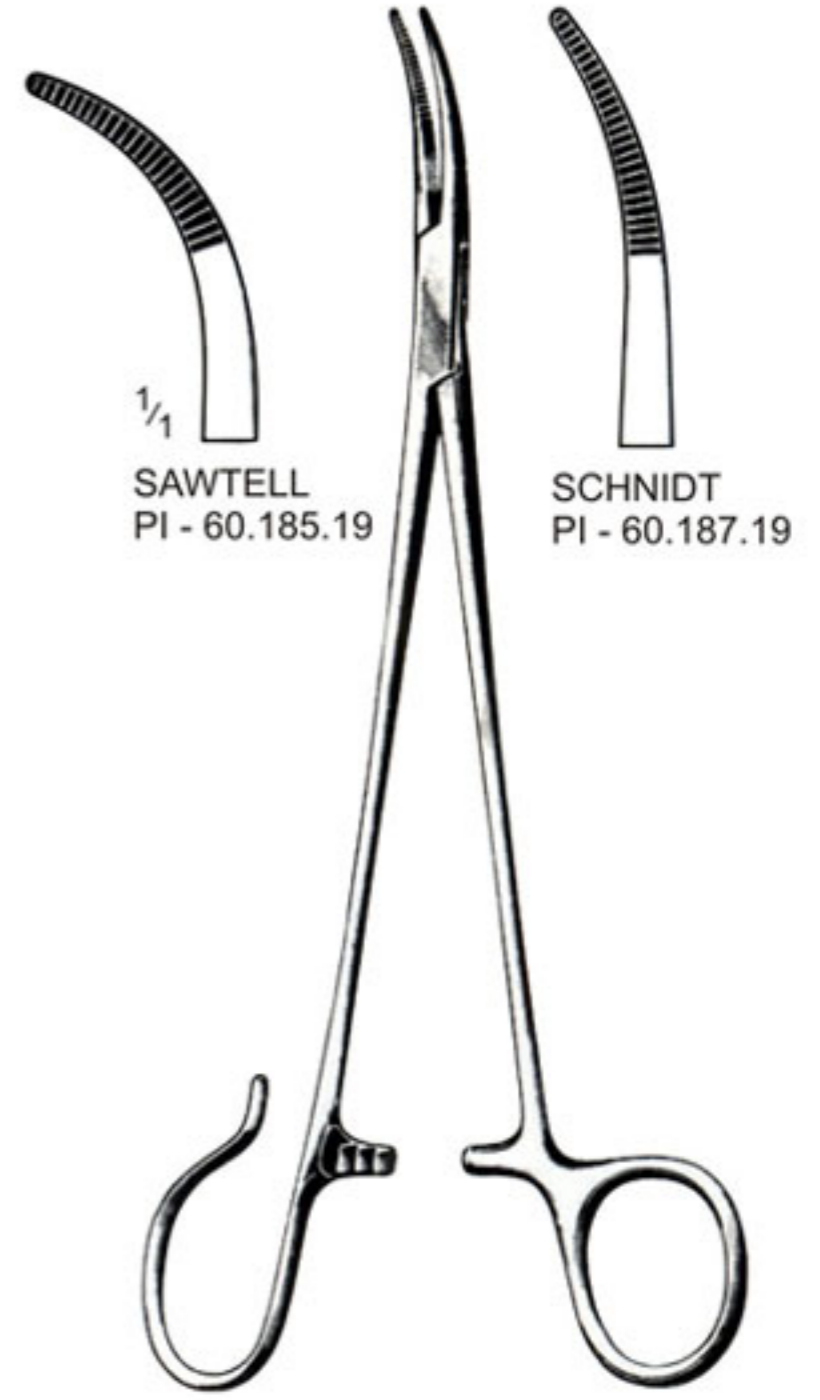


**DUPUY - WEISS**  
PI - 60.165.22 PI - 60.167.22  
22 cm



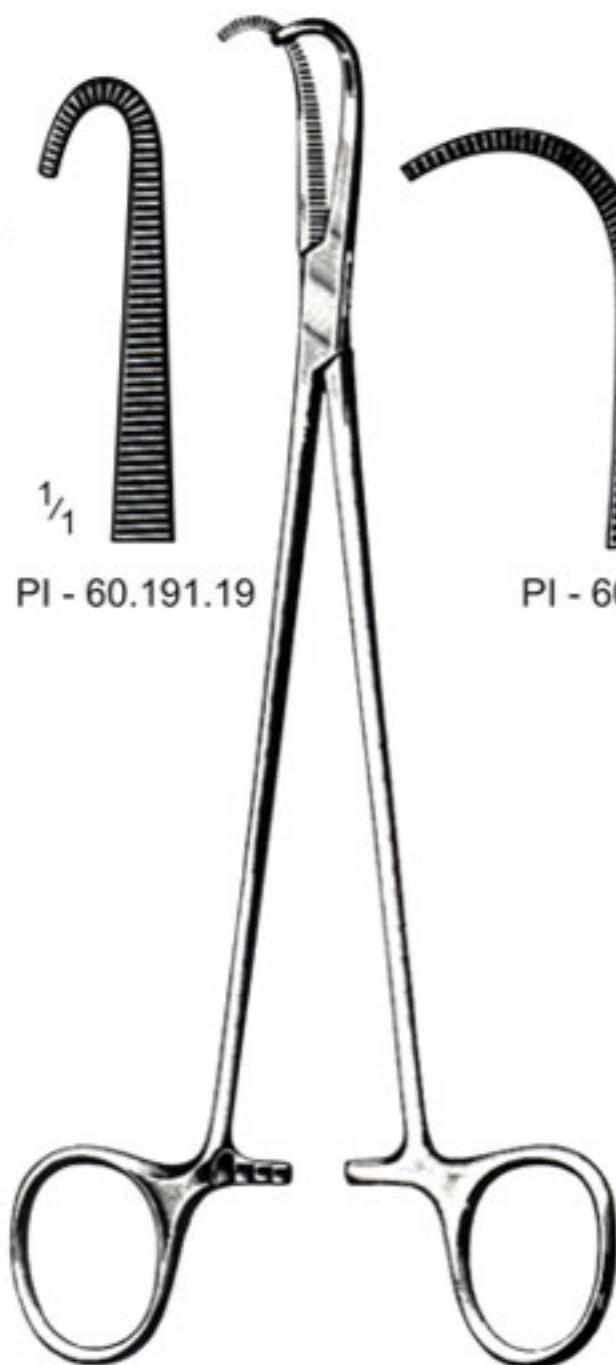
**SAWTELL** PI - 60.181.19  
**SCHNIDT** PI - 60.183.19

PI - 60.181.19- PI - 60.183.19  
19 cm



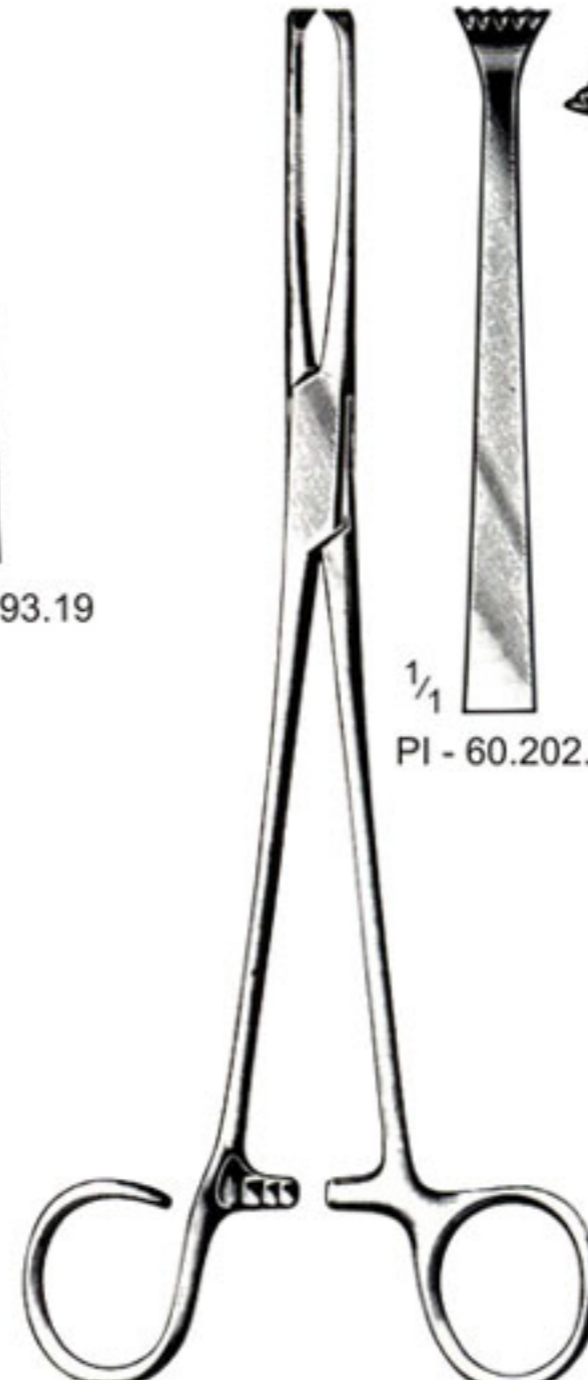
**SAWTELL** PI - 60.185.19  
**SCHNIDT** PI - 60.187.19

PI - 60.185.19- PI - 60.187.19  
19 cm



**PI - 60.191.19**  
**PI - 60.193.19**

**NEGUS**  
PI - 60.191.19 - PI - 60.193.19  
19cm



**PI - 60.202.19** **PI - 60.203.19**

**COLVER**  
PI - 60.202.19-PI - 60.203.19  
19 cm



cm	<b>WHITE</b>
18	PI - 60.205.18
23	PI - 60.205.23

Tonsillen  
Tonsils  
Amygdales  
Amígdalas  
Tonsille

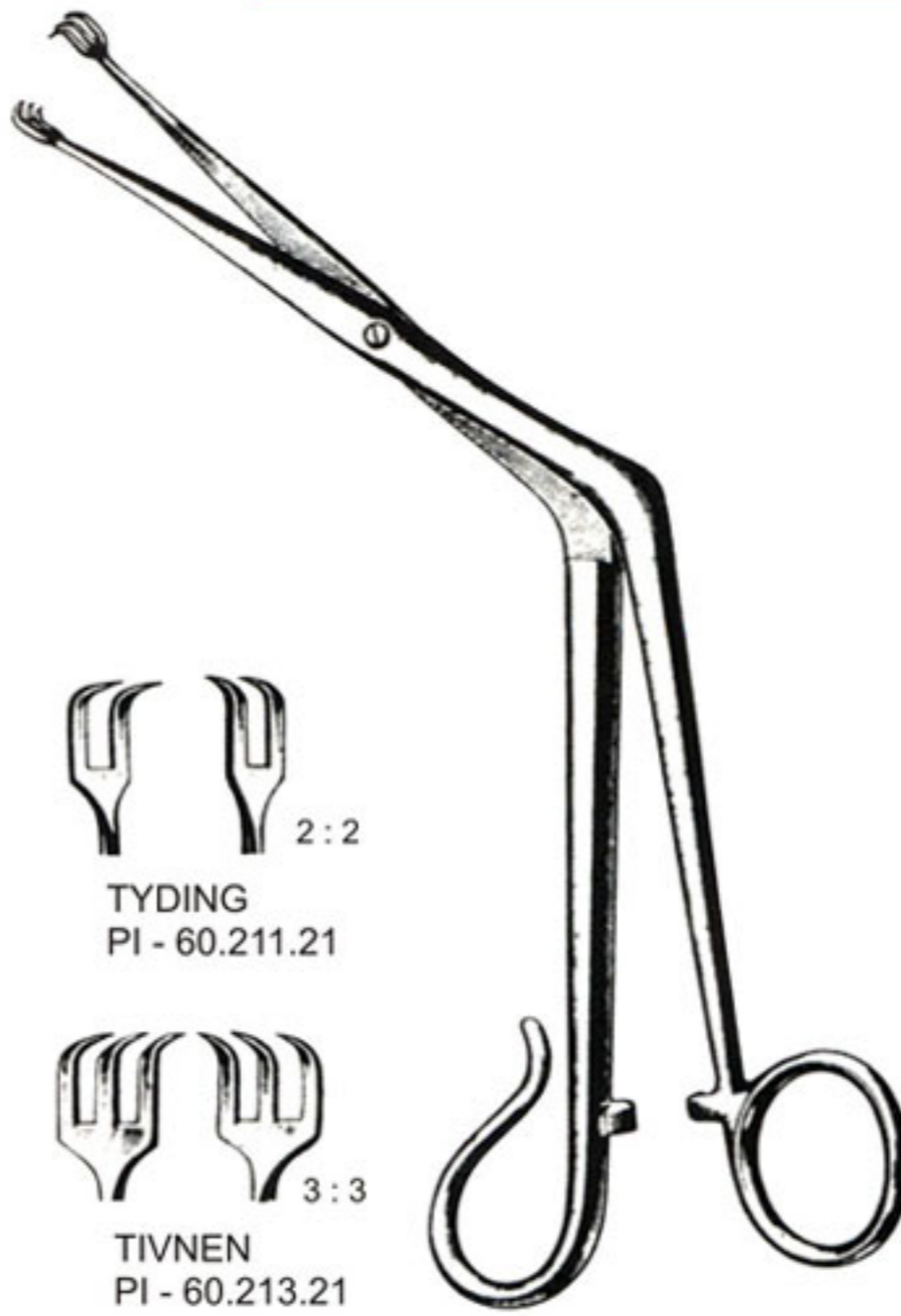
60



**BALLENGER**  
PI - 60.207.21  
21,5 cm



**BLOHMKE**  
PI - 60.209.20  
20 cm



PI - 60.211.21- PI - 60.213.21  
21 cm



**MARSCHIK**  
PI - 60.219.22  
22 cm



**TYDING**  
PI - 60.211.21



**TIVNEN**  
PI - 60.213.21



**CORWIN**  
PI - 60.231.14  
14 cm



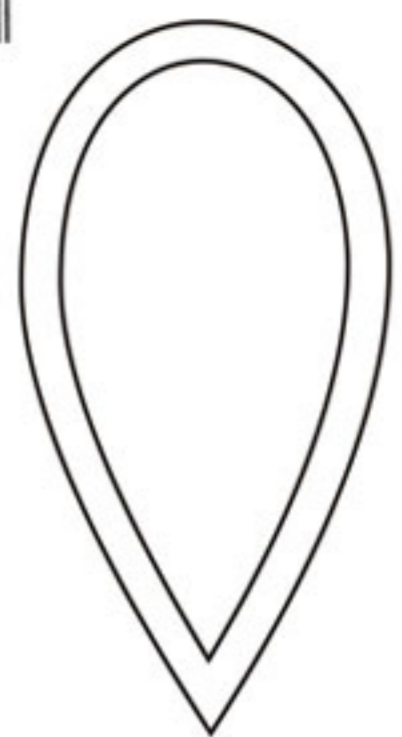
**EVES**  
PI - 60.250.28  
28 cm



**EVES**  
PI - 60.252.28  
28 cm



**BRUENINGS**  
PI - 60.256.28  
28 cm



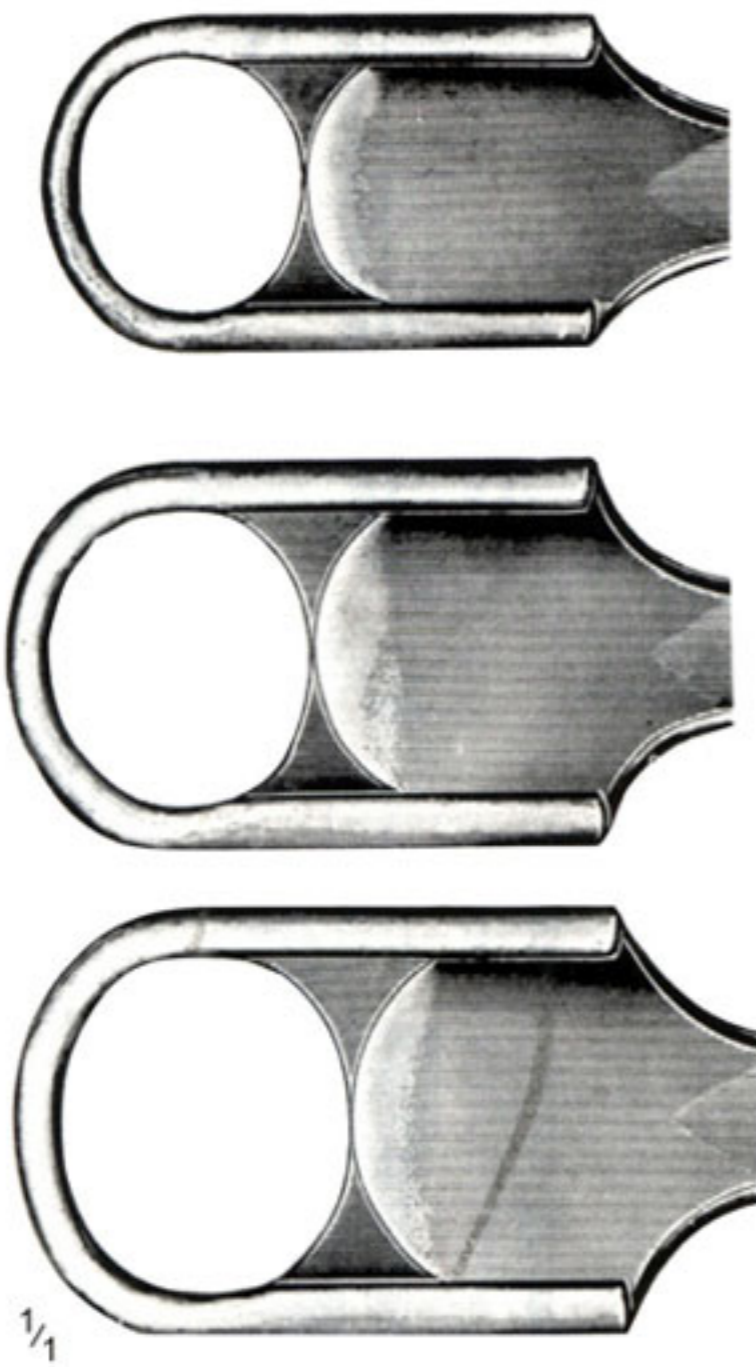
mm	100 x
40	PI - 60.257.40
50	PI - 60.257.50



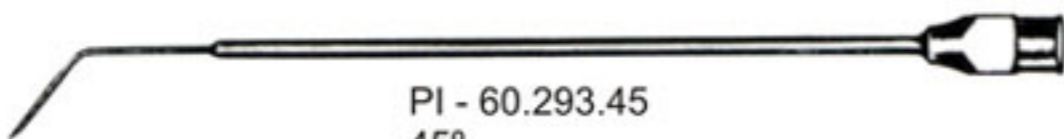
PI - 60.259.03  
0,3mm  
12 x

Tonsillen  
Tonsils  
Amygdalea  
Amígdalas  
Tonsille

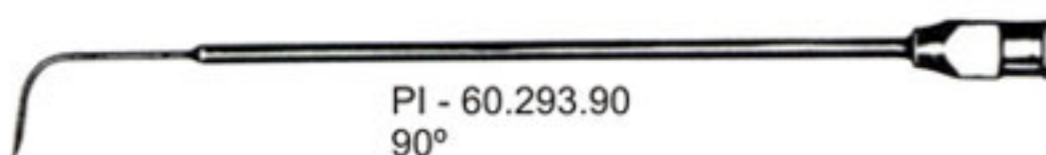
60



PI - 60.292.00



PI - 60.293.45  
45°



PI - 60.293.90  
90°



TYDING  
PI - 60.260.00  
mit 1 geraden aufsatz  
with 1 straight tip  
à 1 embout droit  
Con 1 punta recta  
Con 1 punta retta



SLUDER - BALLENGER  
PI - 60.270.00  
mit 3 aufsätsen  
with 3 blades  
avec 3 lames  
Con 3 hojas  
Con 3 lame



ml	
2	PI - 60.290.02
5	PI - 60.290.05
10	PI - 60.290.10